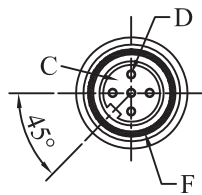
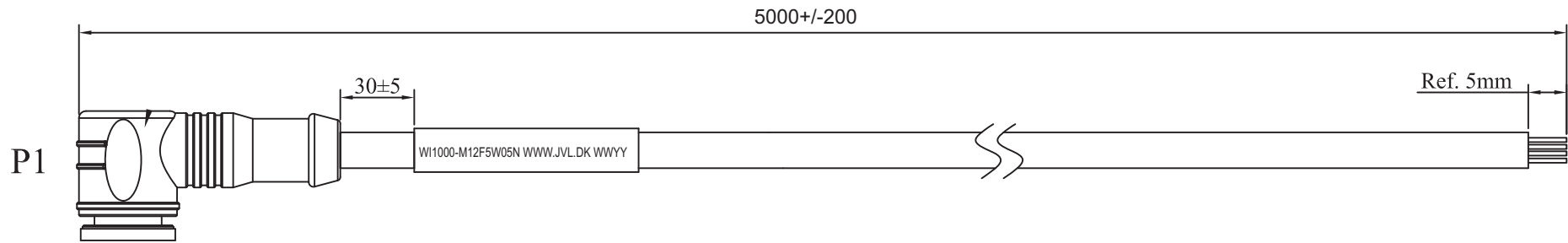
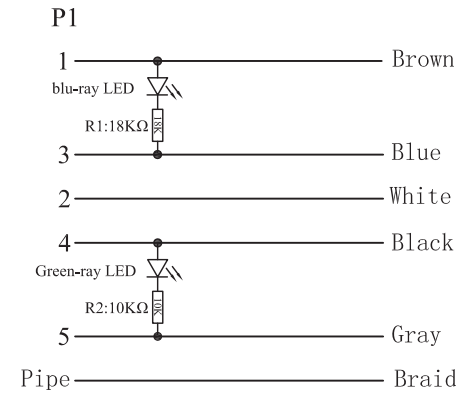





Date	Description	Revision



View from front

### Wirelist



						JVL Industri Elektronik A/S Blokken 42 - DK-3460 Birkerød Tel: +45 4582 4440 Fax: +45 4582 5550			Draw no. LT0387-10GB Part no.	
						<b>WI1000-M12F5W05N</b>		Description M12 shl cable 5pin female 90°		
	Sign+vv	Date	Unit	mm	Tolerances					
Drw	PCR-10	11-06-2018	Scale	--	Unless Specified					
Chk	-	-	 		Linear	0.5~6 ±0.1	6~30 ±0.2			
App	-	-			Angles	±3°				